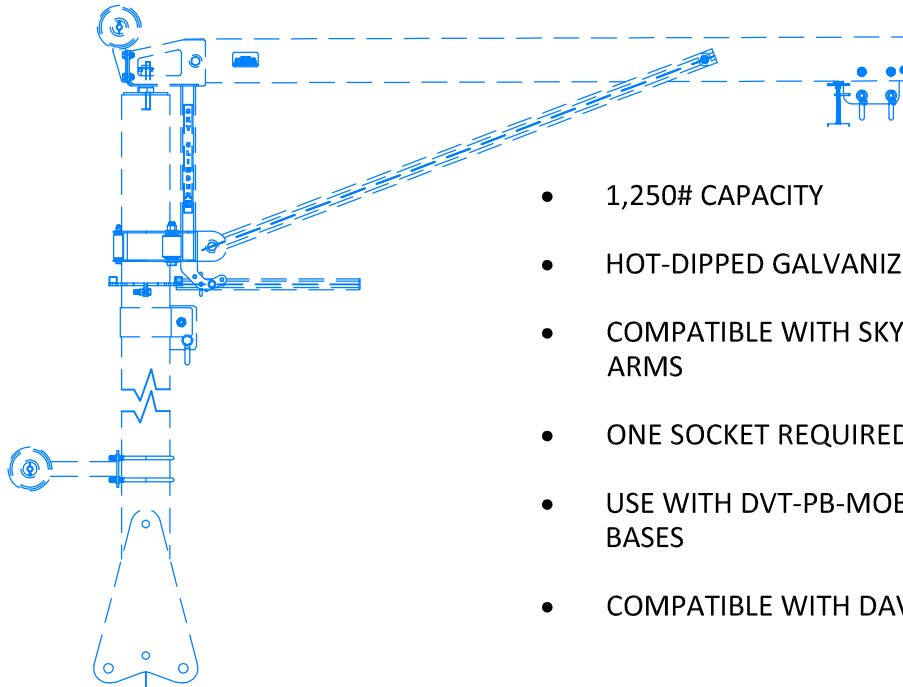
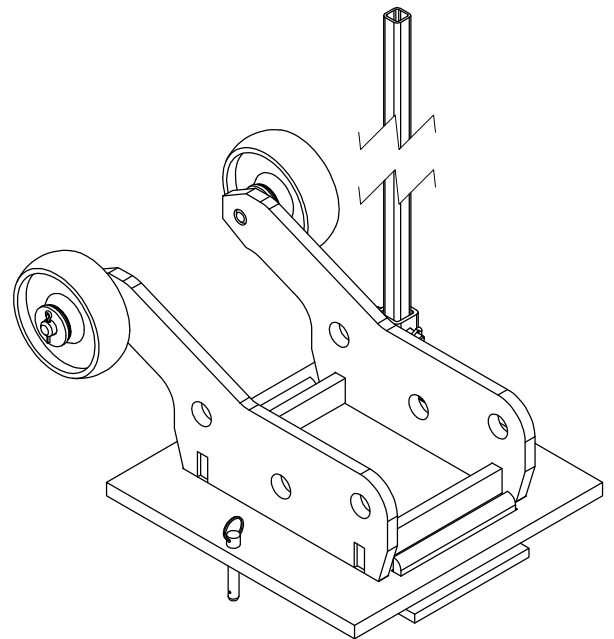
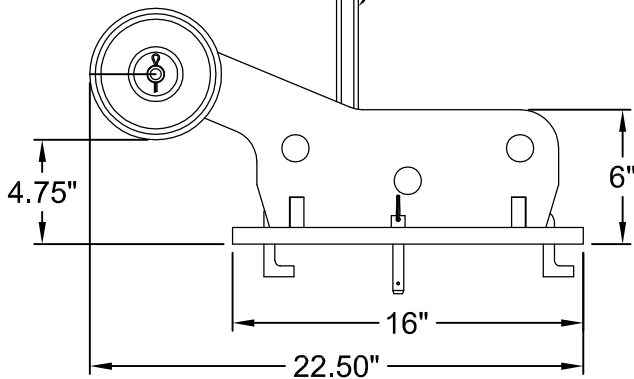
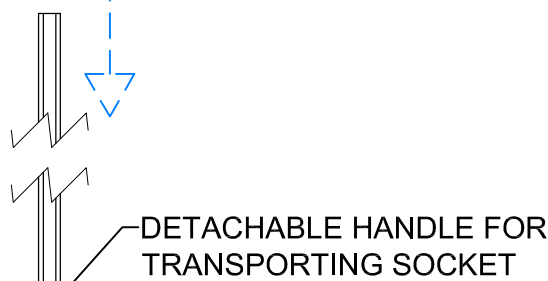


Sky Climber Model: DVT-SB-MOB-RCS

Application: Mobile Recessed Socket Base



- 1,250# CAPACITY
- HOT-DIPPED GALVANIZED FINISH
- COMPATIBLE WITH SKY CLIMBER 2.0 DAVIT ARMS
- ONE SOCKET REQUIRED FOR EACH DAVIT ARM
- USE WITH DVT-PB-MOB-RCS SERIES PEDESTAL BASES
- COMPATIBLE WITH DAVIT WINCH BRACKET



NOTE:

DAVIT IS CAPABLE OF SUPPORTING 5,000 LB. ULTIMATE LOAD AND 1,250 LB. ALLOWABLE LOAD. DAVIT MAY FAIL DUE TO IMPROPER INSTALLATION OR INADEQUATE SUPPORTING STRUCTURE. SERIOUS INJURY OR DEATH MAY RESULT FROM DAVIT FAILURE. INSTALLATION OF DAVIT MUST BE PERFORMED UNDER THE SUPERVISION OF A PROFESSIONAL ENGINEER WITH EXPERIENCE IN SUSPENDED ACCESS EQUIPMENT. ADDITIONALLY, DAVIT SHALL BE TESTED UNDER THE SUPERVISION OF A P.E. AND CERTIFIED BEFORE PLACING INTO SERVICE.

SPECIFIC CONSTRUCTION DETAILS AND APPLICATIONS VARY. THE STRUCTURE THE DAVIT BASE IS ATTACHED TO MUST BE ADEQUATE TO SUPPORT THE REQUIRED LOADING. THEREFORE, ALL INSTALLATION DETAILS MUST BE CONFIRMED BY THE BUILDING'S ENGINEER OF RECORD PRIOR TO THE INSTALLATION.