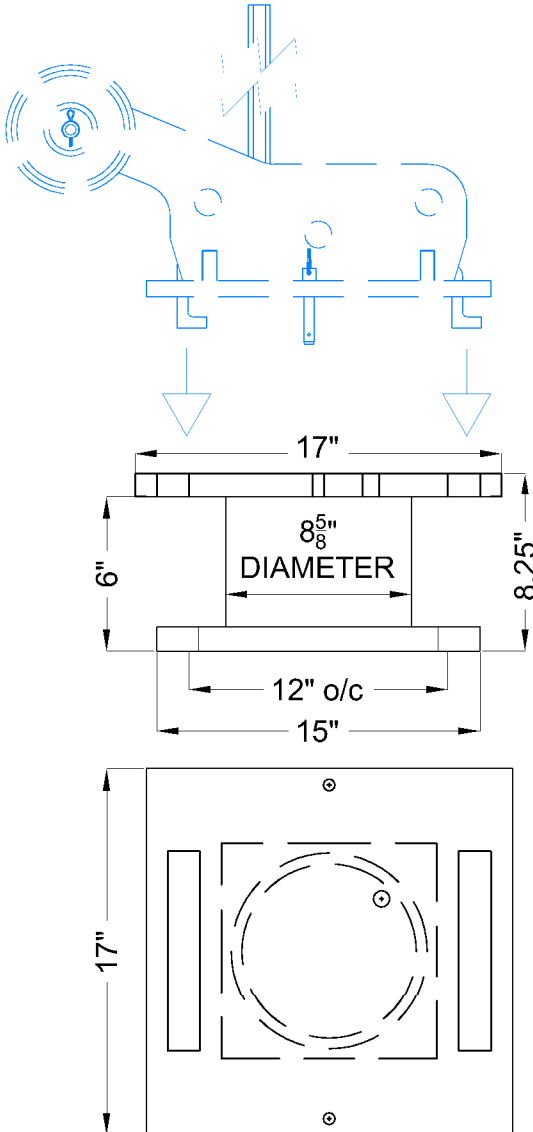
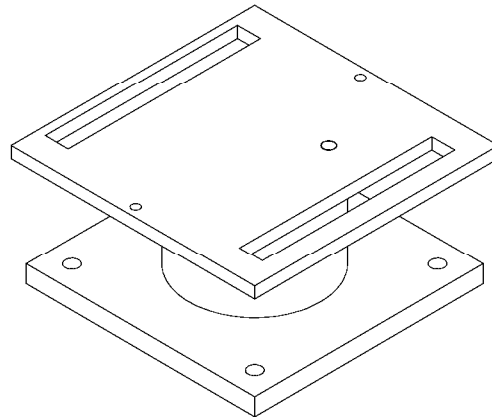


Sky Climber Model: DVT-PB-MOB-RCS-BLT-6

Application: Bolted Pedestal Base For Use With Mobile Recessed Socket Base



- 1,250# CAPACITY
- COMPATIBLE WITH MOBILE RECESSED DAVIT SOCKET BASES
- BOLT TO CAST-IN-PLACE EMBED CAGE, THROUGH-BOLT EXISTING SLAB, OR WRAP EXISTING STRUCTURAL MEMBER.
- HOT-DIPPED GALVANIZED FINISH
- URETHANE FOAM FILLED COLUMN TUBE OPTIONAL
- WELDED VERSION ALSO AVAILABLE, USE "-WLD" SUFFIX
- BASE ORIENTATION (SOCKET ROTATION) AVAILABLE AT 7°, 15°, 30°, 45°, 60°, 75°, AND 83°



NOTE:

DAVIT IS CAPABLE OF SUPPORTING 5,000 LB. ULTIMATE LOAD AND 1,250 LB. ALLOWABLE LOAD. DAVIT MAY FAIL DUE TO IMPROPER INSTALLATION OR INADEQUATE SUPPORTING STRUCTURE. SERIOUS INJURY OR DEATH MAY RESULT FROM DAVIT FAILURE. INSTALLATION OF DAVIT MUST BE PERFORMED UNDER THE SUPERVISION OF A PROFESSIONAL ENGINEER WITH EXPERIENCE IN SUSPENDED ACCESS EQUIPMENT. ADDITIONALLY, DAVIT SHALL BE TESTED UNDER THE SUPERVISION OF A P.E. AND CERTIFIED BEFORE PLACING INTO SERVICE.

SPECIFIC CONSTRUCTION DETAILS AND APPLICATIONS VARY. THE STRUCTURE THE DAVIT BASE IS ATTACHED TO MUST BE ADEQUATE TO SUPPORT THE REQUIRED LOADING. THEREFORE, ALL INSTALLATION DETAILS MUST BE CONFIRMED BY THE BUILDING'S ENGINEER OF RECORD PRIOR TO THE INSTALLATION.