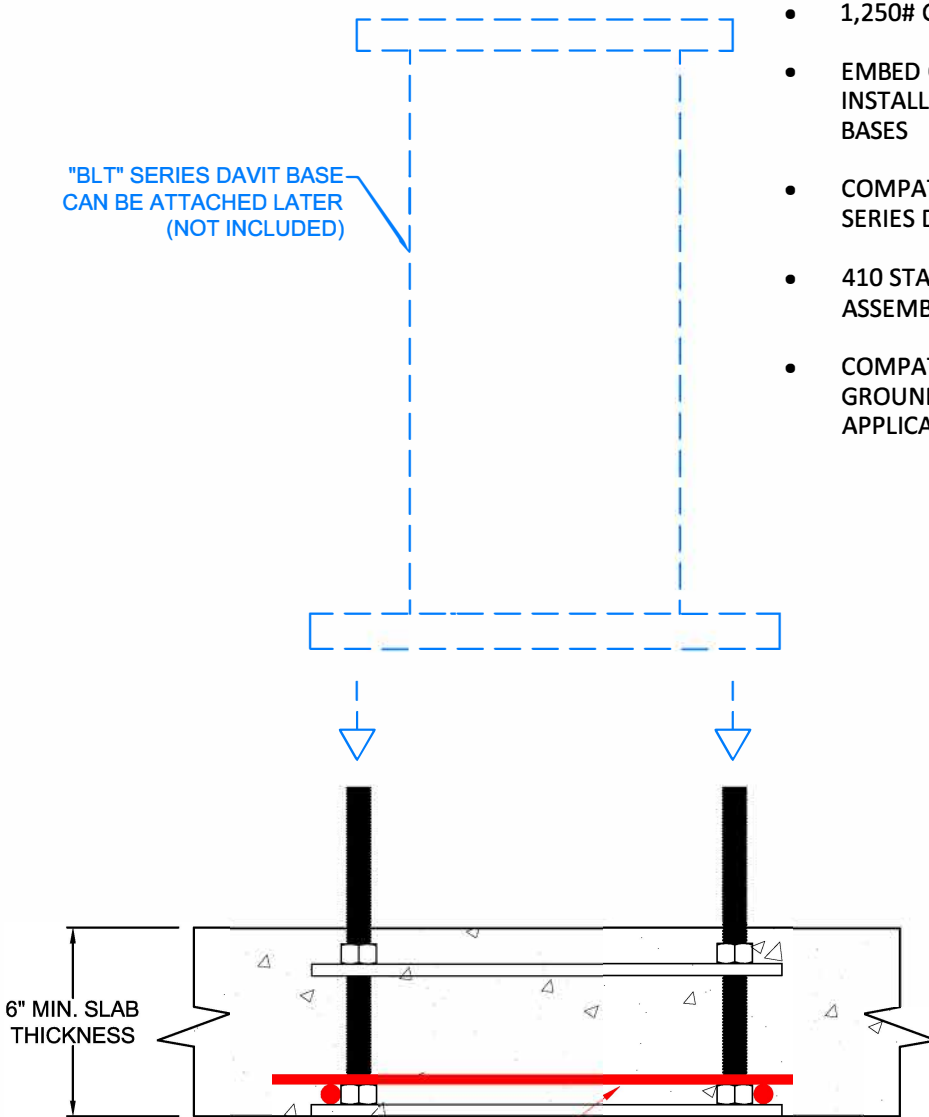
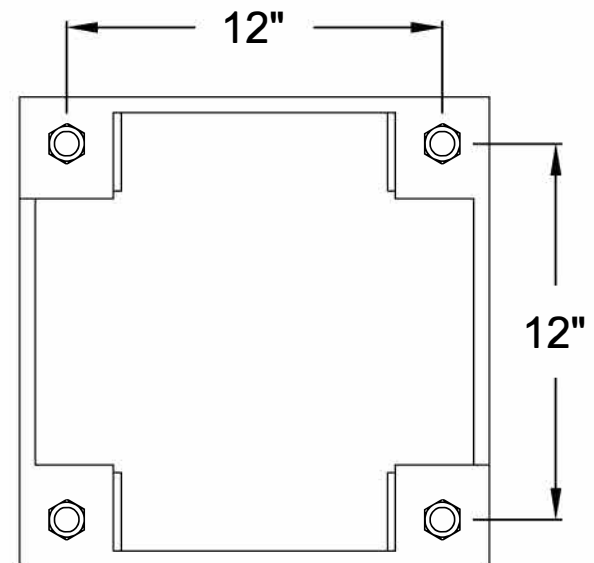


# Sky Climber Model: DVT-EMB-6-12

Application: Davit Embed Cage with Bolted Davit Base



- 1,250# CAPACITY
- EMBED CAGES ALLOW LATER DAVIT BASE INSTALLATION... CAN BE SHIMMED TO PLUMB BASES
- COMPATIBLE WITH ALL DVT-BSE-XXX-BLT SERIES DAVIT BASES
- 410 STAINLESS STEEL 3/4" THREADED ROD ASSEMBLY
- COMPATIBLE WITH ROOF-LAUNCHED, GROUND-LAUNCHED, AND FIXED OUTRIGGER APPLICATIONS



**REINFORCING BAR DESIGN AND ATTACHMENT BY OTHERS**

**NOTE:**

DAVIT IS CAPABLE OF SUPPORTING 5,000 LB. ULTIMATE LOAD AND 1,250 LB. ALLOWABLE LOAD. DAVIT MAY FAIL DUE TO IMPROPER INSTALLATION OR INADEQUATE SUPPORTING STRUCTURE. SERIOUS INJURY OR DEATH MAY RESULT FROM DAVIT FAILURE. INSTALLATION OF DAVIT MUST BE PERFORMED UNDER THE SUPERVISION OF A PROFESSIONAL ENGINEER WITH EXPERIENCE IN SUSPENDED ACCESS EQUIPMENT. ADDITIONALLY, DAVIT SHALL BE TESTED UNDER THE SUPERVISION OF A P.E. AND CERTIFIED BEFORE PLACING INTO SERVICE.

SPECIFIC CONSTRUCTION DETAILS AND APPLICATIONS VARY. THE STRUCTURE THE DAVIT BASE IS ATTACHED TO MUST BE ADEQUATE TO SUPPORT THE REQUIRED LOADING. THEREFORE, ALL INSTALLATION DETAILS MUST BE CONFIRMED BY THE BUILDING'S ENGINEER OF RECORD PRIOR TO THE INSTALLATION.